

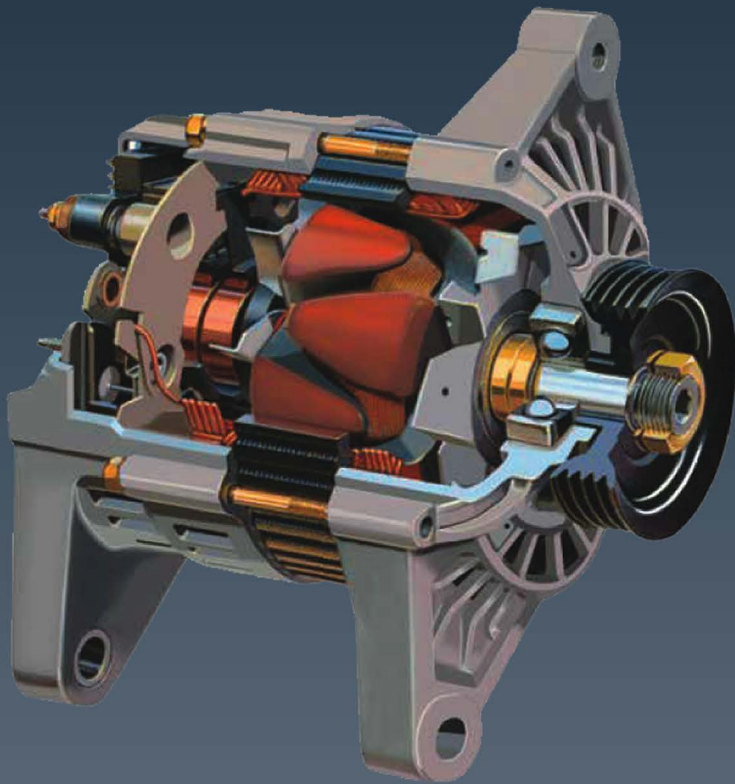
ELITE POWER



STAY CHARGED

Looking for dependability? Our Remanufactured Alternators exceed OE standards because they're Remanufactured using Advanced Remanufacturing Technologies surpassing OEM processes. Our Remanufactured Alternators are built with the most extreme climate, and harshest conditions in mind. Whether it be Extreme Cold, Hot, Dirty or Wet, Elite Power Alternators have been remanufactured to withstand the test of time. Purchase and install with confidence once and keep on driving!

Elite Power Alternators Deliver Confidence!



ADVANCED REMANUFACTURING TECHNOLOGY

Regulators are computer tested using machinery that simulates the exact functionality of the vehicle.

Rectifiers are remanufactured using upgraded high-capacity diodes to ensure long term sustainability.

Rotors & Stators are tested, and sealed using insulation coating to ensure longevity.

All bearings are replaced with upgraded ABEC rated replacements.

All brushes are replaced to ensure prolonged usage.

Pulleys and hardware are processed using rust inhibiting methods.

ROTEX